



SPECIFICATIONS

- Submersible up to 164 ft / 50 m (IEC 60529)
- Corrosion Resistant Salt Spray Tested (ASTM B117)
- Seamless Single Mould Construction
- Single piece Silicon Sealing O-Ring
- Stainless Steel 316 Hardware & Fasteners
- Single piece Silicon Sealing O-Ring
- Stainless Steel 316 Hardware & Fasteners
- Internal fastening locations for optional Back Plate accessory
- High Impact & Crush Resistance (IK10)

MATERIAL

Stainless Steel Type 316

ENCLOSURE APPLICABILITY

- JSMI
- ASMI
- WSM
- OSMI
- MLMI
- NSMI
- BSBI
- DPSI
- DPFI
- DPQI
- DPBI

INDUSTRY STANDARDS

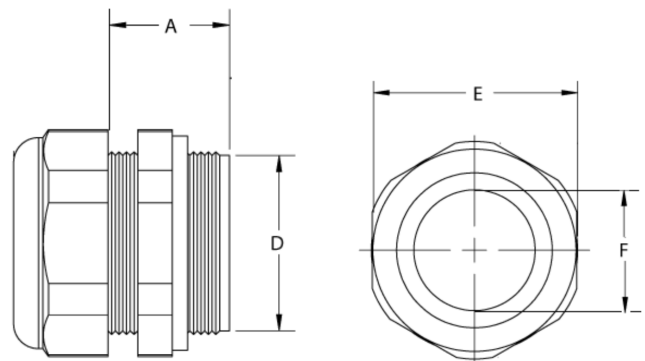
NEMA Type 6, 6P
 IP67/68 IEC 60529
 IK10 Impact Resistant

APPLICATION

SLAYSON CABLE GLANDS provide a watertight seal for cables and conduit entering an enclosure. Rated IP68 at depths of up to 15ft / 5m. SLAYSON CABLE GLANDS come as standard in Stainless Steel to provide protection from harsh and corrosive environments. Easy self installation ensures that a watertight connection can be made on a wide range of SLAYSON enclosures.

MODIFICATION AND CUSTOMIZATION

SLAYSON can provide custom sizes on all Stainless Steel CABLE GLANDS. Contact our experienced Engineers about your project specific solution.



PART NUMBER	Thread Type	F Clamping Range mm	C Clamping Range in	D Thread Length mm	E Thread O.D. mm	E Spanner Size mm	E Material
CGS-M16	M16 x 1.5	4 - 8	0.16 - 0.31	7.0	16.0	18	Stainless Steel
CGS-M24	M24 x 1.5	10 - 14	0.39 - 0.55	10.0	24.0	24	Stainless Steel
CGS-M32	M32 x 1.5	15 - 22	0.59 - 0.87	11.0	32.0	35	Stainless Steel
CGS-M42	M42 x 2.0	22 - 28	0.87 - 1.10	12.0	42.0	45	Stainless Steel
CGS-M60	M60 x 2.0	37 - 44	1.46 - 1.73	14.0	60.0	64	Stainless Steel