


SPECIFICATIONS

- Watertight IP68 Cable Glands
- Marine Grade Stainless Steel
- Suitable for Prolonged Submersion
- NBR Seal
- Nylon Clamp Insert
- High Protection from Corrosion
- Watertight and Airtight sealing
- Easy Installation

MATERIAL

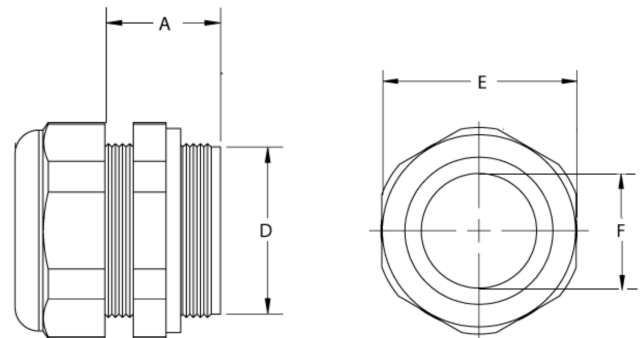
Stainless Steel Type 316

ENCLOSURE APPLICABILITY

- JSMI
- ASMI
- WSM
- OSMI
- MLMI
- NSMI
- BSBI
- DPSI
- DPFI
- DPQI
- DPBI

OPTIONAL ACCESSORIES

- Fluorosilicon O Ring
- Entry Hole Drill Kit


INDUSTRY STANDARDS

NEMA Type 6, 6P
 IP67/68 IEC 60529
 IK10 Impact Resistant

APPLICATION

SLAYSON CABLE GLANDS / CORD GRIPS For watertight sealing of Electrical Cables or Conduits ranging from 3.00 mm (1/8”) to 70.00 mm (2 3/4”). Providing a Watertight Seal entry to the Enclosure, protecting against dust and water ingress when submerged. Easy self installation ensures that a watertight connection can be made on a wide range of SLAYSON enclosures.

MODIFICATION AND CUSTOMIZATION

SLAYSON can provide custom sizes on all Stainless Steel CABLE GLANDS. For custom sizes email sales@slayson.com Contact our experienced Engineers about your project specific solution.

PART NUMBER	Thread Type	Entry Size Range mm	Entry Size Range in	Material
CGS1206-16	M12 x 1.5	3.00 - 6.00mm	0.11 - 0.23 in	Stainless Steel
CGS1406-16	M14 x 1.5	3.00 - 6.00mm	0.11 - 0.23 in	Stainless Steel
CGS1608-16	M16 x 1.5	4.00 - 8.00mm	0.15 - 0.31 in	Stainless Steel
CGS1810-16	M18 x 1.5	6.00 - 10.00mm	0.23 - 0.39 in	Stainless Steel
CGS2012-16	M20 x 1.5	8.00 - 12.00mm	0.31 - 0.47 in	Stainless Steel
CGS2214-16	M22 x 1.5	10.00 - 14.00mm	0.39 - 0.55 in	Stainless Steel
CGS2414-16	M24 x 1.5	10.00 - 14.00mm	0.39 - 0.55 in	Stainless Steel
CGS2514-16	M25 x 1.5	10.00 - 14.00mm	0.39 - 0.55 in	Stainless Steel
CGS2518-16	M25 x 1.5	13.00 - 18.00mm	0.51 - 0.7 in	Stainless Steel
CGS3222-16	M32 x 1.5	15.00 - 22.00mm	0.59 - 0.86 in	Stainless Steel
CGS2718-16	M27 x 2	13.00 - 18.00mm	0.51 - 0.7 in	Stainless Steel
CGS3018-16	M30 x 2	13.00 - 18.00mm	0.51 - 0.7 in	Stainless Steel
CGS3322-16	M32 x 2	15.00 - 22.00mm	0.59 - 0.86 in	Stainless Steel
CGS3625-16	M36 x 2	18.00 - 25.00mm	0.51 - 0.98 in	Stainless Steel
CGS4025-16	M40x1.5	18.00 - 25.00mm	0.51 - 0.98 in	Stainless Steel
CGS5032-16	M50 x 1.5	26.00 - 32.00mm	1.02 - 1.25 in	Stainless Steel
CGS6344-16	M63 x 1.5	37.00 - 44.00mm	1.45 - 1.73 in	Stainless Steel
CGS4228-16	M42 x 2	22.00 - 28.00mm	0.86 - 1.1 in	Stainless Steel
CGS4832-16	M48 x 2	25.00 - 32.00mm	0.98 - 1.25 in	Stainless Steel
CGS5438-16	M54 x 2	32.00 - 38.00mm	1.25 - 1.49 in	Stainless Steel
CGS6044-16	M60 x 2	37.00 - 44.00mm	1.45 - 1.73 in	Stainless Steel
CGS7252-16	M72 x 2	42.00 - 52.00mm	1.65 - 2.04 in	Stainless Steel
CGS8060-16	M80 x 2	50.00 - 60.00mm	1.96 - 2.36 in	Stainless Steel
CGS8870-16	M88 x 2	62.00 - 70.00mm	2.44 - 2.75 in	Stainless Steel