



SPECIFICATIONS

- Submersible up to 30 ft / 10 m
- Welded in Place Watertight Conduit Connection
- Aluminum Options Available
- Custom Sizes & Material Available

MATERIAL

Stainless Steel Type 316

ENCLOSURE APPLICABILITY

- JSMI
- ASMI
- WSMI
- OSMI
- MLMI
- NSMI
- BSBI

INDUSTRY STANDARDS

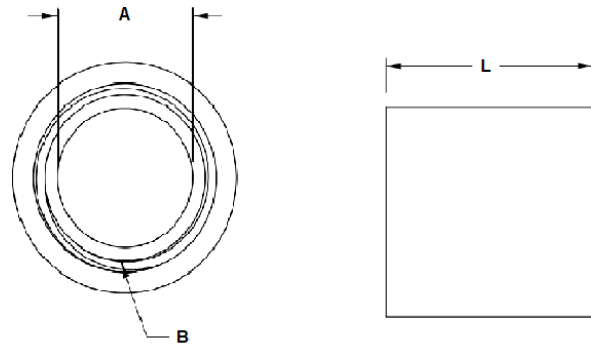
NEMA Type 6, 6P
 IP67/68 IEC 60529
 IK10 Impact Resistant

APPLICATION

SLAYSON WELDED IN PLACE HUBS provide a watertight connection for conduit or pipe entering an enclosure. These hubs can be located on all enclosure faces to meet most application requirements. Rated IP68 / NEMA 6P at depths of up to 30ft / 10m. SLAYSON Welded In Place Hubs come as standard in Stainless Steel, with optional Aluminum available. Suitable for waterproof conduit connections within harsh and corrosive environments.

MODIFICATION AND CUSTOMIZATION

SLAYSON can provide custom sizes on all Stainless Steel CABLE GLANDS. For custom sizes email sales@slayson.com Contact our experienced Engineers about your project specific solution.



| PART NUMBER | A Hub Size in | L Hub Length in | B Threads Per Inch | Thread Type | Material |
|-------------|---------------------|-----------------------|-----------------------|-------------|-----------------|
| HWI-1-2 | 0.5 | 1.57 | 14 | NPSM | Stainless Steel |
| HWI-3-4 | 0.75 | 1.63 | 14 | NPSM | Stainless Steel |
| HWI-1-0 | 1 | 2 | 11.5 | NPSM | Stainless Steel |
| HWI-1-1-4 | 1.25 | 2.06 | 11.5 | NPSM | Stainless Steel |
| HWI-1-1-2 | 1.5 | 2.09 | 11.5 | NPSM | Stainless Steel |
| HWI-2-0 | 2 | 2.16 | 11.5 | NPSM | Stainless Steel |