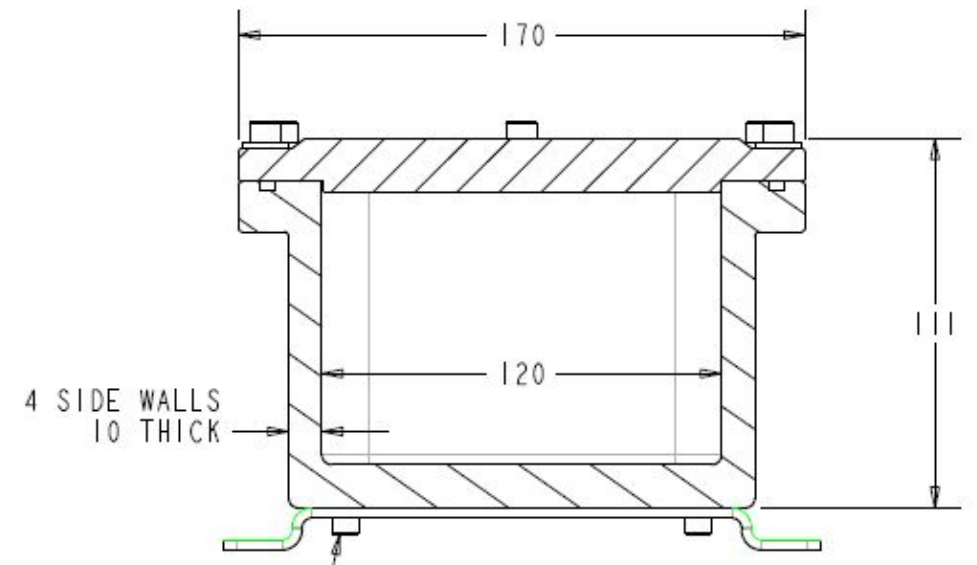
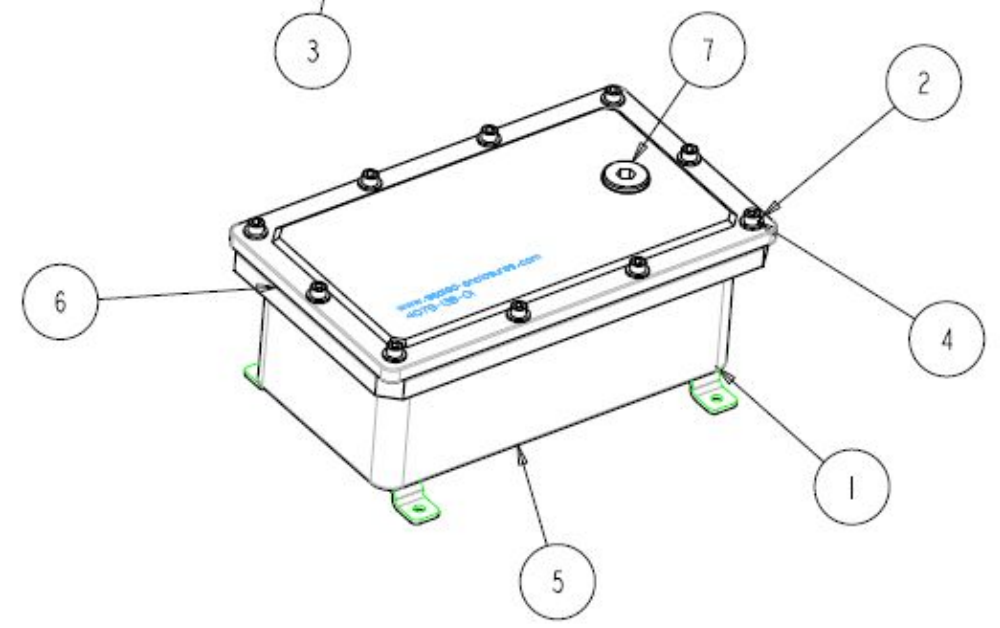


SECTION A-A  
SCALE 0.400



4 SIDE WALLS  
10 THICK

SECTION B-B



ITEM	DESCRIPTION	MATERIAL	QTY
1	BRIDGE FOOT	316 S/STEEL	2
2	M5 OVERSIZE WASHER	A4 ST/STEEL	10
3	SCREW; SOC. CAP; #10-32X3/8; S.S.	A4 ST/STEEL	4
4	SCREW; SOC. CAP; 1/4-20X1; S.S.	A4 ST/STEEL	10
5	BOX BODY	ALUMINIUM GRADE 5083	1
6	BOX LID	ALUMINIUM GRADE 5083	1
7	BLANKING PLUG M25 X 1.5	ST/STEEL 316S33	1

<b>SLAYSON</b>	TITLE	BILLET BOX	PROJECT	STANDARD HOUSING	DRAWING NO	4079	ISSUE	ISSUE DATE	12th Nov 2012	
	RATING	DEPTH RATING 200 METERS	NOTES	MACHINE FROM SOLID	UNITS	mm	DRAWN BY	E Bowes	CHECKED BY	TA