

SPECIFICATIONS

- Prolonged Submersible up to 656 ft / 200 mtr (IEC 60529)
- Corrosion Resistant Salt Spray Tested (ASTM B117)
- Heavy Duty Stainless Steel Type 316 mount feet
- Single piece Silicon Sealing O-Ring
- Stainless Steel 316 Fasteners & Hardware
- Internal fastening locations for optional Back Plate accessory
- High Impact & Crush Resistance (IK10)

MATERIAL

Marine Grade 5083 Aluminum*

FINISH

Natural Finish*

*Alternative color options available on request

OPTIONAL ACCESSORIES

- Standard Internal Mount/Back Plates
- Hinged Lid
- Optical Window Lid
- Lock Tab
- Captive Lid Fasteners
- Internal Swing out Panel
- Stainless Steel Type 316 Cable Glands / Cord grips
- Shock & Vibration Isolation Mount Kits

CODE

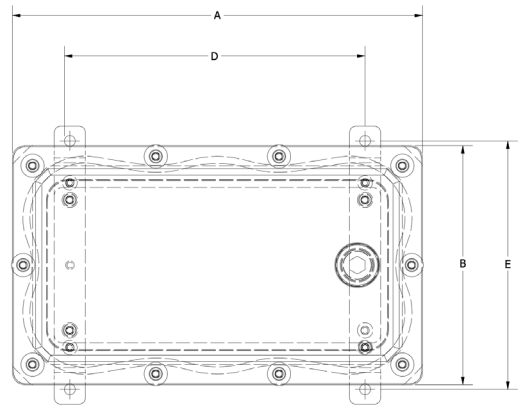
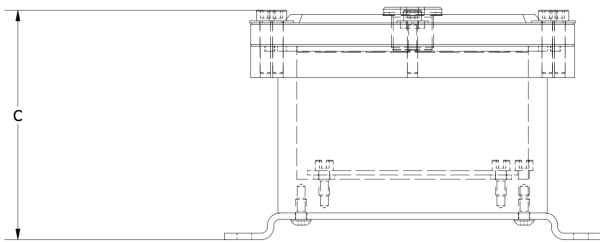
- B
- H
- O
- L
- C
- S

INDUSTRY STANDARDS

NEMA Type 6, 6P
IP67/68 IEC 60529
IK10 Impact Resistant

APPLICATION

The SUBSEA range of Aluminum Submersible Enclosures are the leaders in underwater system protection. Used by renewable energy, Submarine and ROV companies requiring ultimate protection against extreme marine conditions. Manufactured from marine grade Aluminum with corrosion resistant Stainless Steel type 316 hardware and a single piece Silicon O-ring that provides watertight protection of your vital electrical equipment whilst still allowing acoustic and wireless signal transmission. SLAYSON's SUBSEA range of enclosures and accessories deliver a reliable enclosure system to meet both the operational and environmental demands for any underwater application.



MODIFICATION AND CUSTOMIZATION

SLAYSON excels at modifying and personalizing all our Enclosure products to meet your exact specifications. Whether you require cutouts, welded in-place bosses or a non-standard size. Contact our experienced Engineers about your project specific solution.

PART NUMBER BUILDER

Customer Mod Code* — Material Imperial Height (in) Width (in) Depth (in) Accessory Codes

— B B B I 0 7 1 1 0 4

Enclosure Series Submersion Depth For Non-Standard sizes or to add Optional Accessories use the Part Number Builder to configure the part number.

*Generated by SLAYSON Engineering for customer specific modifications

PART NUMBER	A		B		C		D		E		F	
	External Height		External Width		External Depth		Internal Height		Internal Width		Internal Depth	
	in	mm	in	mm	in	mm	in	mm	in	mm	in	mm
BBBI071104	07	170.0	11.4	290.0	4.4	227.0	14.3	364.0	7.3	185.0	3.6	92.0